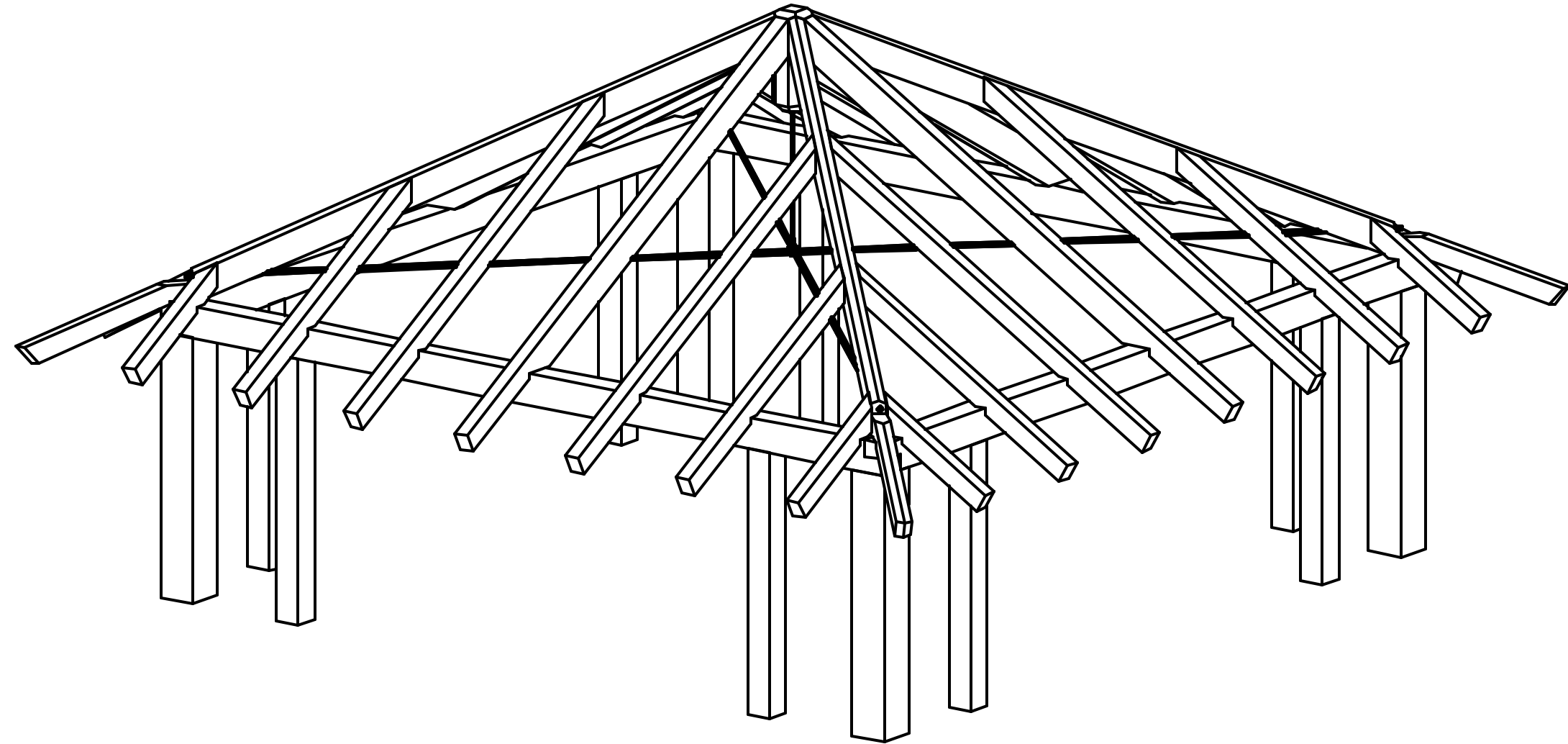


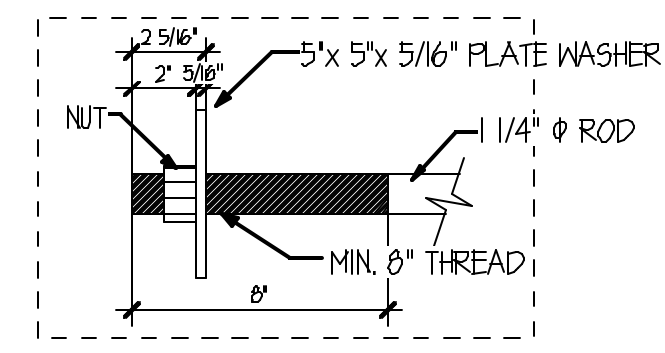
PLAN FRONT



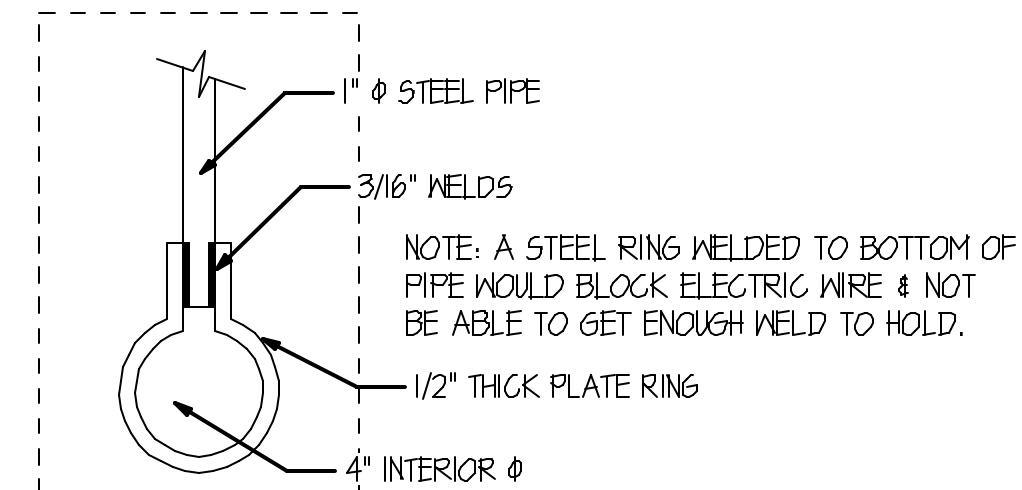
ISOMETRIC VIEW

NOTES:

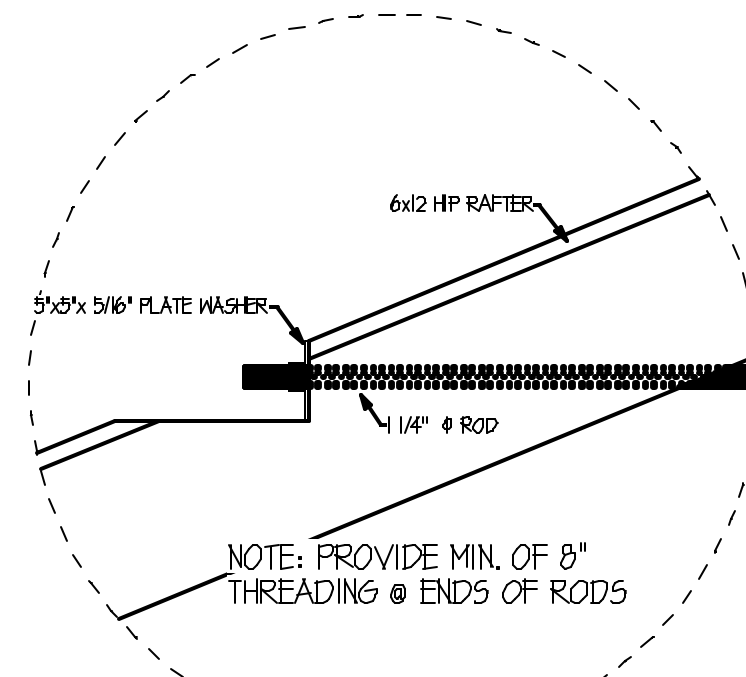
1. END GRAIN SEALED AND NO OILING OF TIMBERS
2. ALL TIMBERS TO BE PLANED AND CHAMFERED
3. ALL TIMBERS TO BE DOUGLAS FIR NO. 1 GRADE



ROD/WASHER DETAIL
2" = 1'-0"



PIPE/RING DETAIL
2" = 1'-0"



RAFTER/ROD DETAIL
1" = 1'-0"

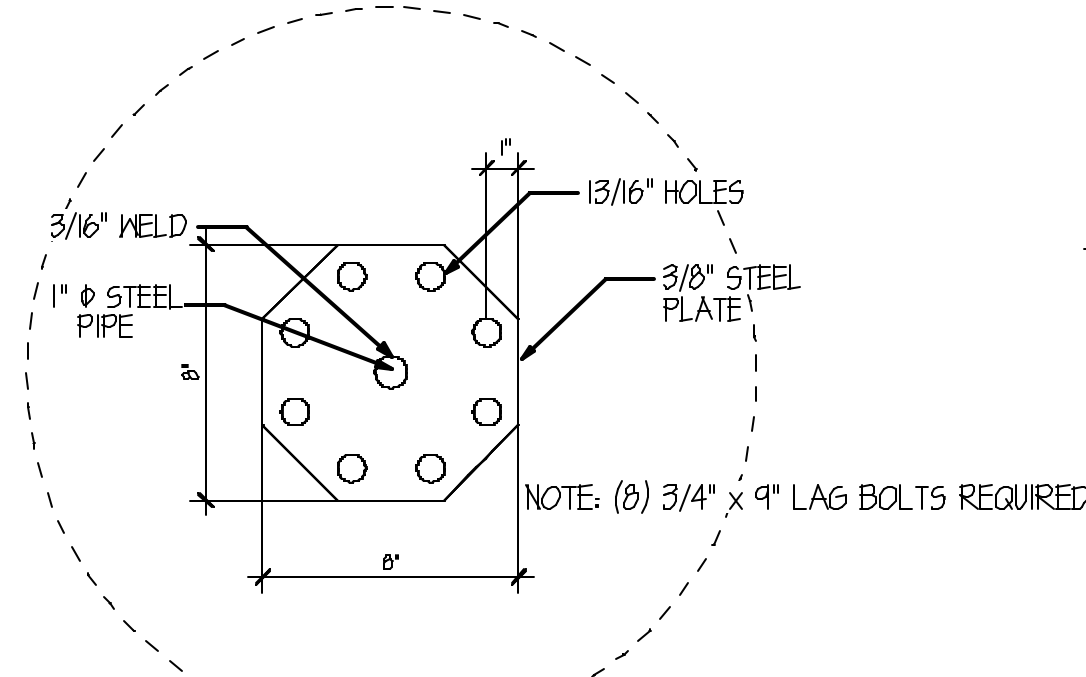
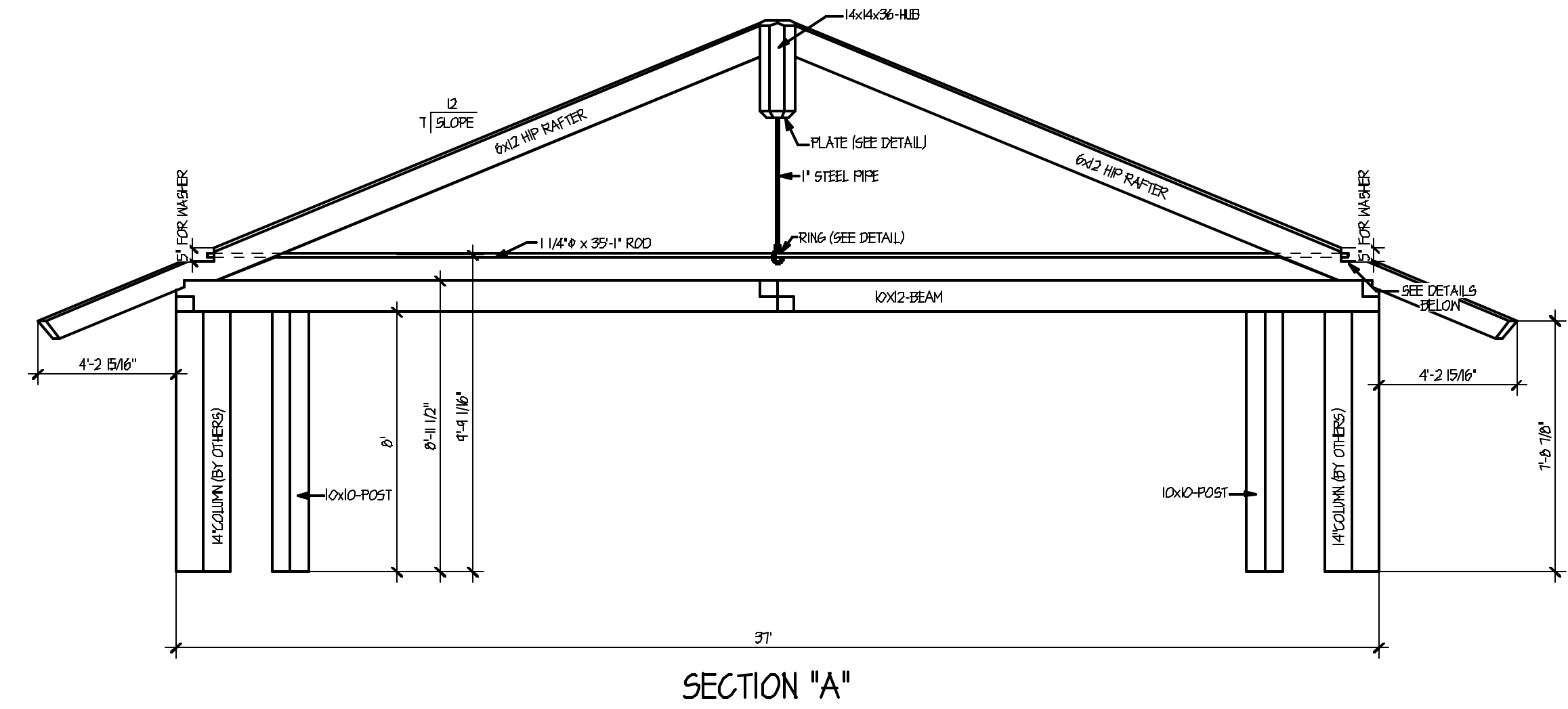
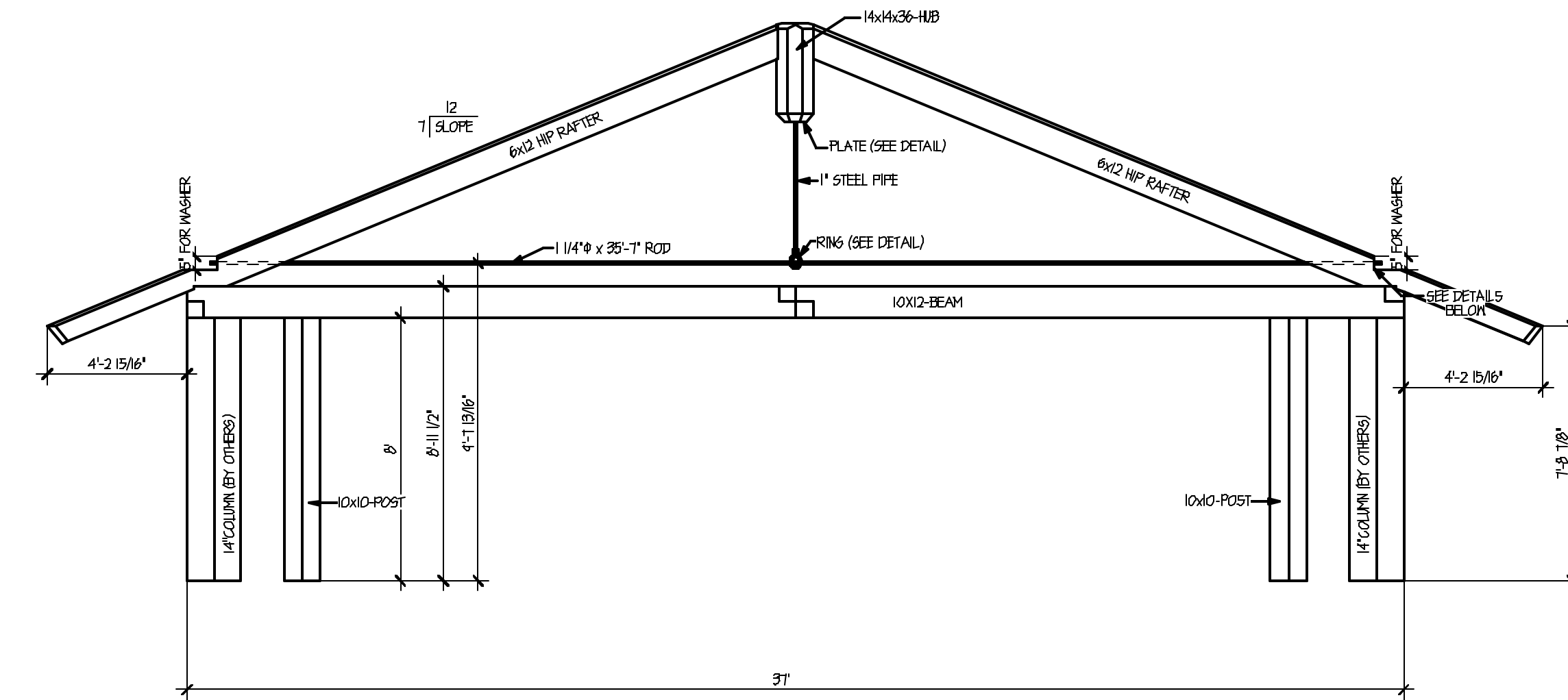


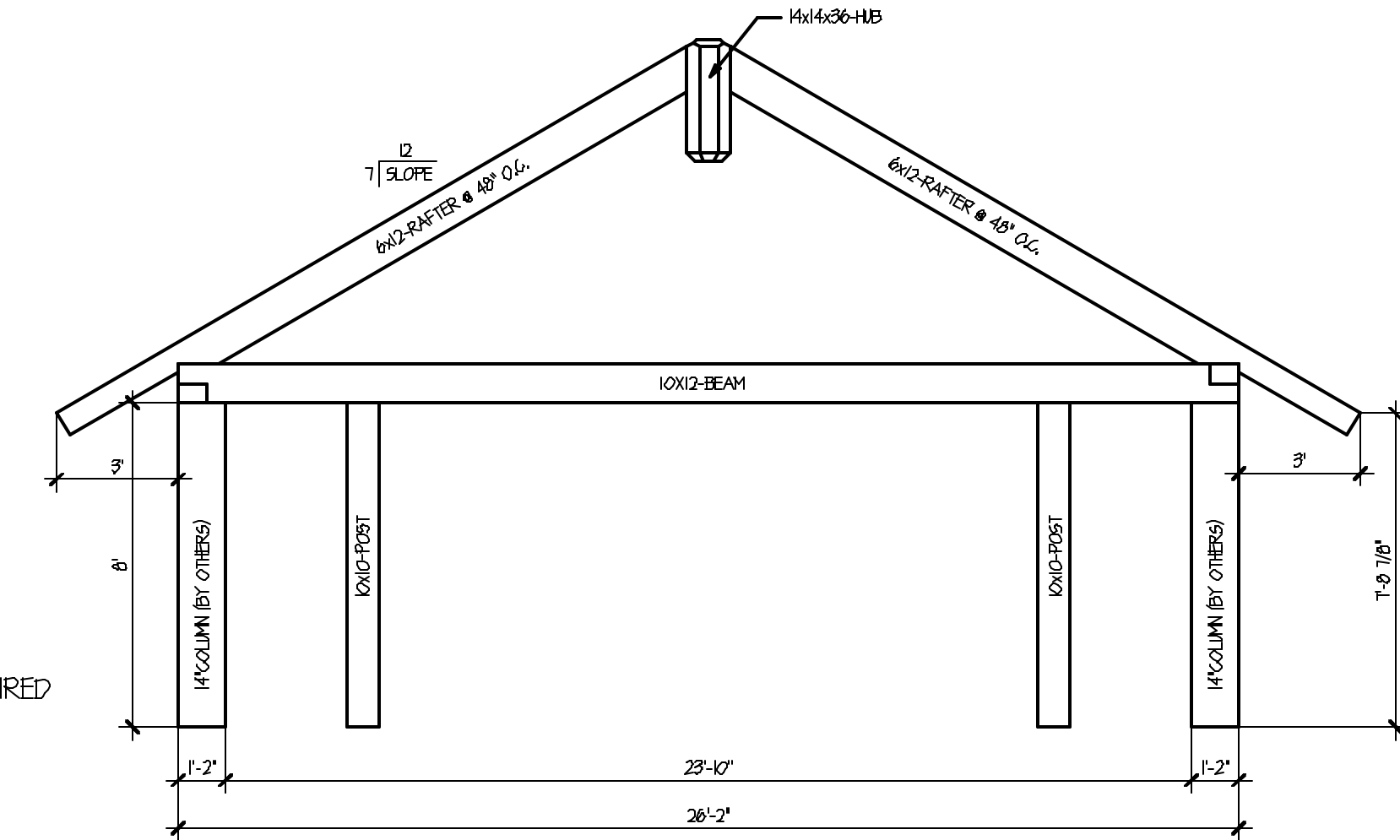
PLATE DETAIL
2" = 1'-0"



SECTION "A"



SECTION "B"



SECTION "C"

THE DESIGN REPRESENTED ON THIS PLAN IS INTENDED TO BE USED EXCLUSIVELY IN CONJUNCTION WITH THE CONSTRUCTION OF A STRUCTURE MANUFACTURED BY HEARTHSTONE, INC., AND UNDER COPYRIGHT LAW. MAY NOT BE USED FOR ANY OTHER PURPOSE.

© 2000 HEARTHSTONE, INC.
ALL RIGHTS RESERVED. RESPECTING DESIGN AND SUBJECT SHOWN ON THIS PLAN.
TRADEMARKS & REGISTERED TRADEMARKS

HEARTHSTONE, INC.
1630 EAST HIGHWAY 25/70
DANDRIDGE, TENNESSEE 37125
800-241-4442

CUSTOMER: **DANNY SINK-LABONTE POOL HOUSE**

LEWISTON, NC

MODEL: **CUSTOM POOL HOUSE**

TITLE: **DESIGN PLANS**

540

SQUARE FOOTAGE:

DATE - LAST REVISION:
02-09-08

DATE: 1/18/00

DRAWN BY: C56

REVISED BY: C56, WMM

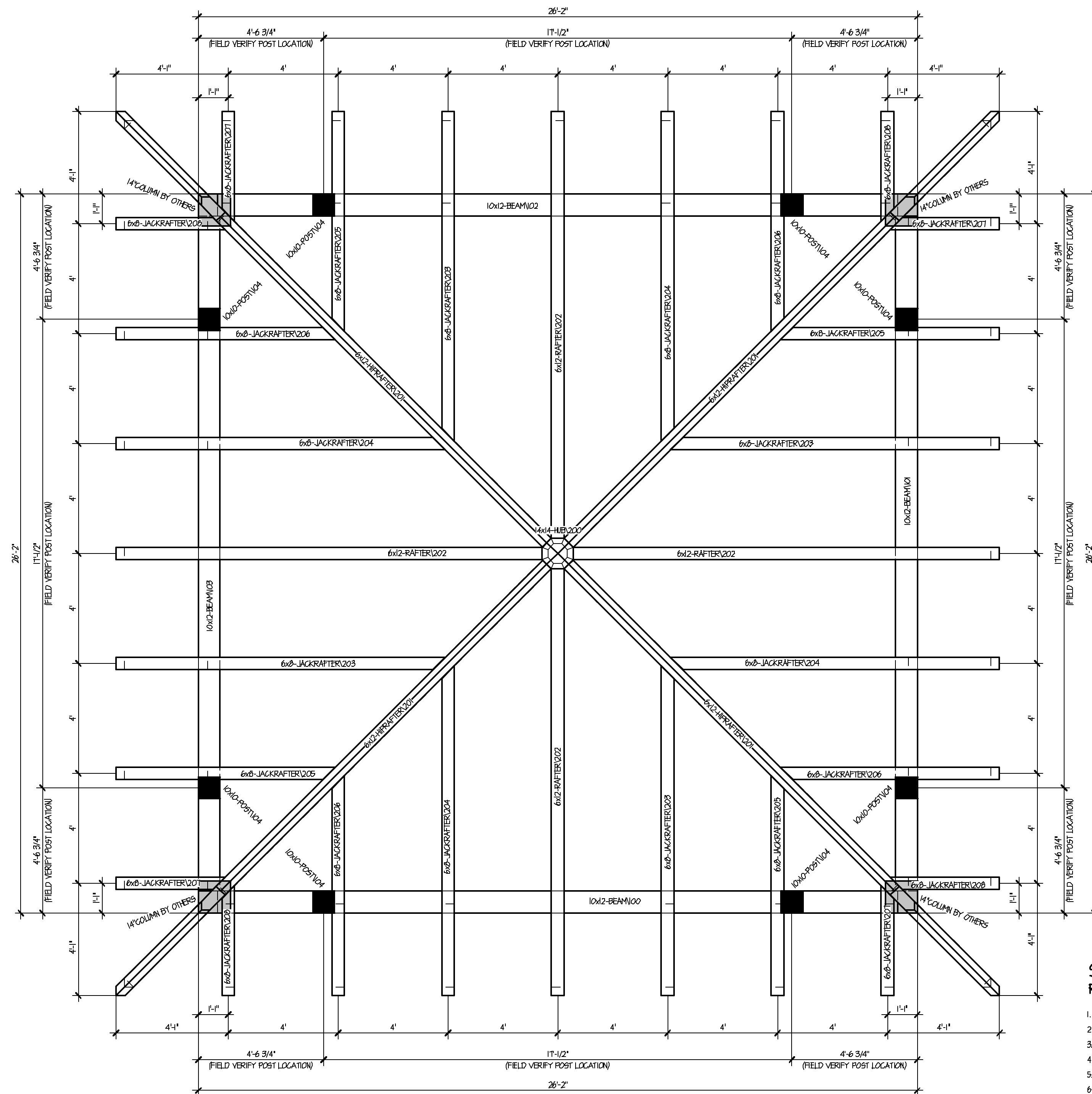
CUSTOMER NAME: LABONTE

SALES ORDER NO.: 1441

LD ORDER NO.: 6562

HEARTHSTONE REP.: WHITE/HOOD

SHEET NO.: 1



PLAN FRONT
FRAMING PLAN

**SPECIAL ATTACHMENT NOTES
READ BEFORE ERECTING HOUSE**

1. ATTACH BEAMS TO POST W/3/4" OLYMPIC FASTENERS.
2. ATTACH BEAM LAPS W/4" OLYMPIC FASTENERS.
3. ATTACH 6x6 RAFTERS TO BEAM W/2" OLYMPIC FASTENERS.
4. ATTACH 6x6 RAFTERS TO HP RAFTERS W/2" OLYMPIC FASTENERS.
5. ATTACH 6x12 RAFTERS TO BEAM W/2" OLYMPIC FASTENERS.
6. ATTACH 6x12 RAFTERS TO HB W/3/4" OLYMPIC FASTENERS.
7. ATTACH 6x12 HP RAFTERS TO HB W/3/4" OLYMPIC FASTENERS.
8. ATTACH 6x12 HP RAFTERS TO HB W/3/4" OLYMPIC FASTENERS.
9. ATTACH TOP & BOTTOM OF ALL RAFTERS W/1" OLYMPIC FASTENER, TYP. @ EACH SIDE. (TOTAL 4 PER RAFTER)

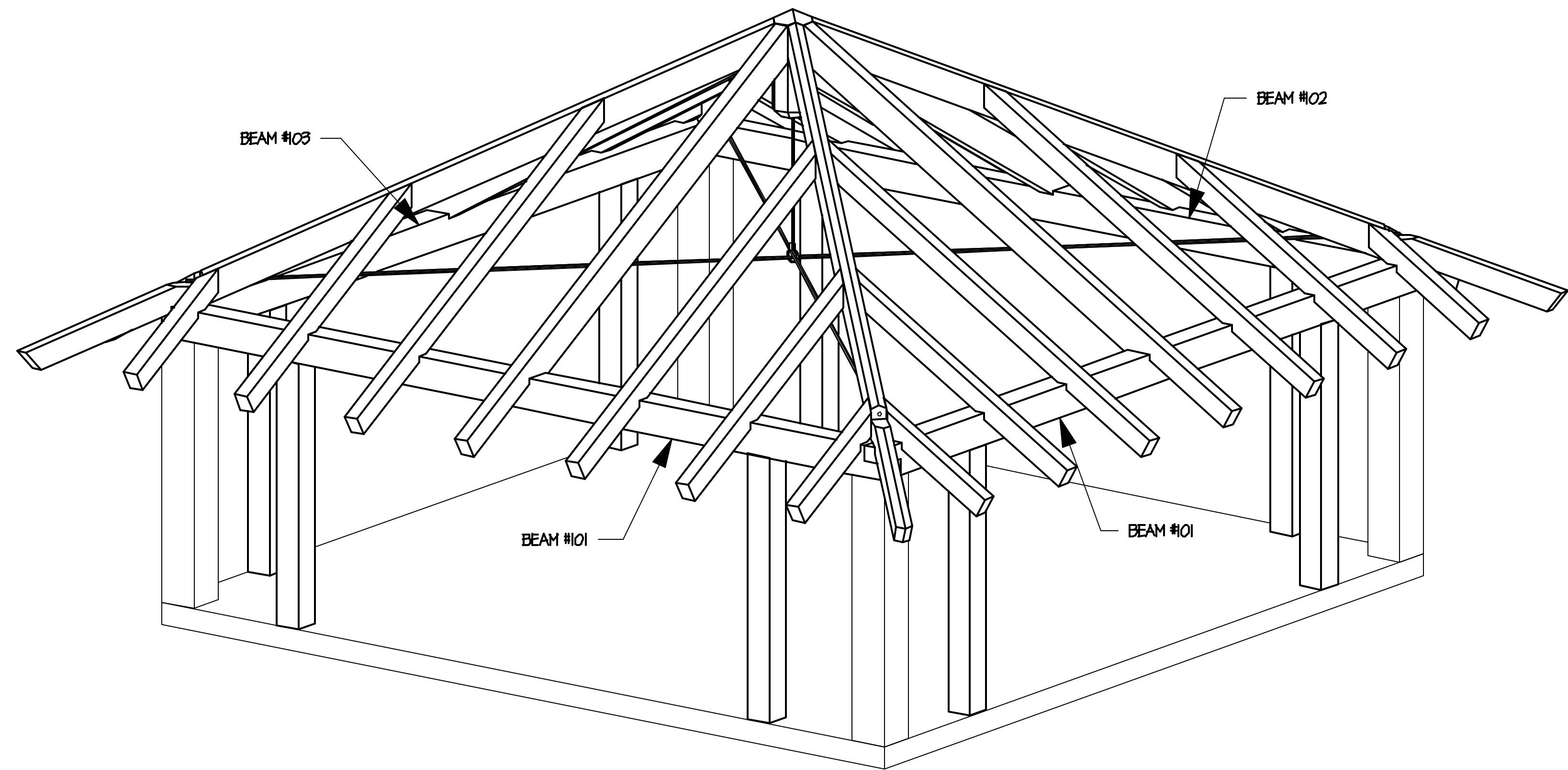
PRODUCTION NOTES:

1. ALL TIMBERS TO BE DOUGLAS FIR.
2. ALL TIMBERS TO BE PLANED & CHAMFERED
3. SEAL ALL END GRAINS & DO NOT OIL TIMBERS

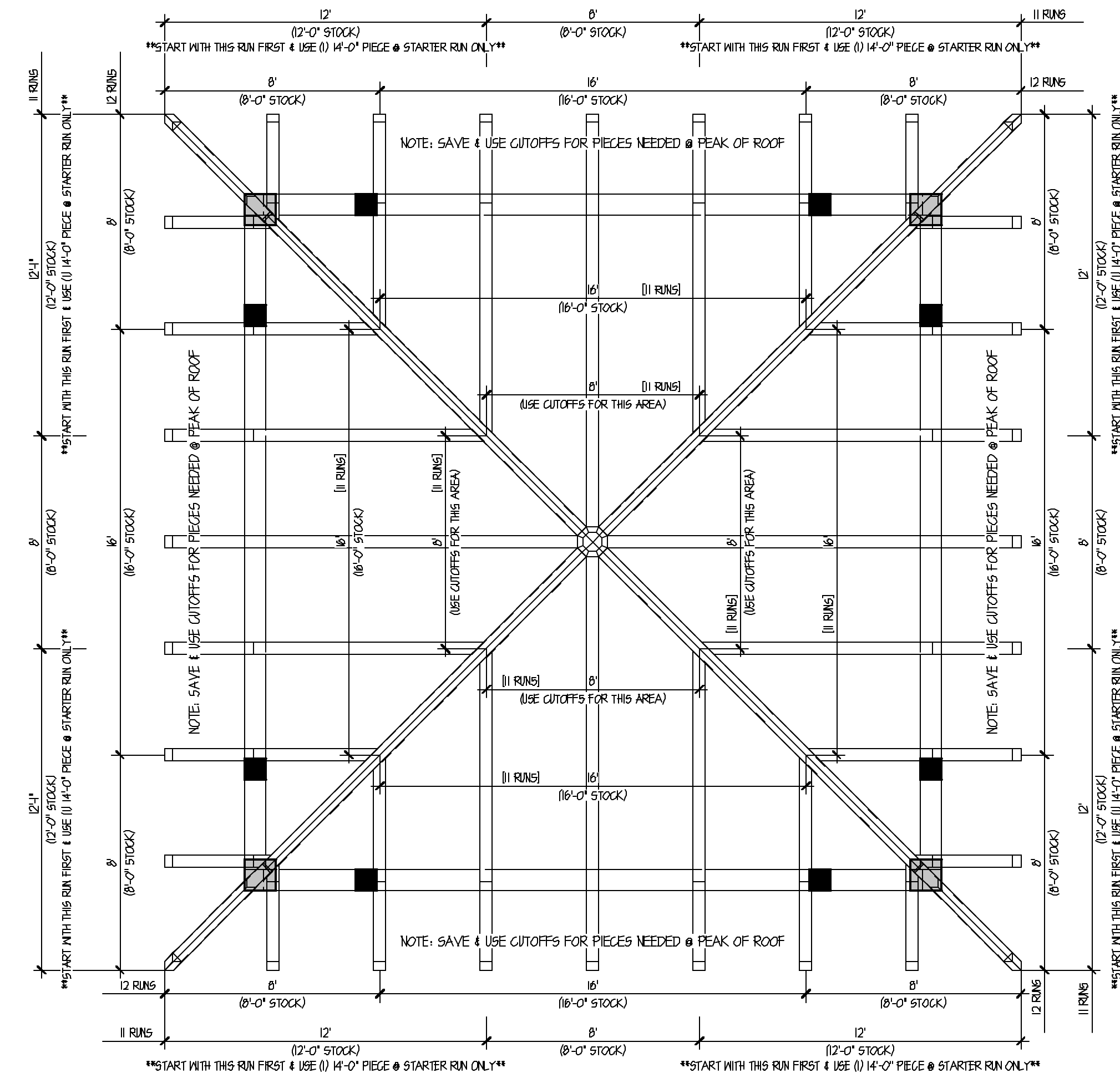
2x6 T&G DECKING

QUANTITY	SIZE	BD. FT.
148	2 x 6 x 8'-0"	1184
N/A	2 x 6 x 10'-0"	N/A
88	2 x 6 x 12'-0"	1056
8	2 x 6 x 14'-0"	112
42	2 x 6 x 16'-0"	1472
TOTAL		3824

NOTE: ALTERNATE EVERY OTHER RUN OF DECKING AS PER PLANS



ISOMETRIC VIEW SHOWING FRONT & RIGHT SIDES



PLAN FRONT
DECKING LAYOUT
SCALE: 1/4"=1'-0"

HEARTHSTONE, INC.
1630 EAST HIGHWAY 25/70
DANDRIDGE, TENNESSEE 37125
800-241-4442

THE DESIGN REPRESENTED ON THIS PLAN IS INTENDED TO BE USED EXCLUSIVELY IN CONJUNCTION WITH THE CONSTRUCTION OF A STRUCTURE MANUFACTURED BY HEARTHSTONE, INC., AND UNDER COPYRIGHT LAW. MAY NOT BE USED FOR ANY OTHER PURPOSE.

© 2000 HEARTHSTONE, INC.
ALL RIGHTS RESERVED RESPECTING DESIGN AND SUBJECT SHOWN ON THIS PLAN.
THEIRRIGHTS & TRADE MARKS ARE REGISTERED TRADEMARKS.

CUSTOMER: **DANNY SINK-LABONTE POOL HOUSE**

LEWISTON, NC

MODEL: **CUSTOM POOL HOUSE**

TITLE: **FRAMING PLAN & ISOMETRIC VIEWS**

590

SQUARE FOOTAGE

DATE - LAST REVISION:

02-09-08

SCALE: 3/8" = 1'-0"

DATE: 4/20/00

DRAWN BY: AHA

REVISED BY:

CUSTOMER NAME: LABONTE/SINK

SALES ORDER NO.: 1441

LD ORDER NO.: 6562

HEARTHSTONE REP.: WHITE/NOOD

SHEET NO.: 2